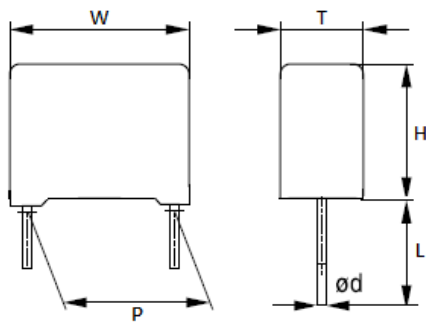


**METALLIZED POLYPROPYLENE FILM CAPACITOR
INTERFERENCE SUPPRESSORS CLASS-X2**

PRODUCT CODE: **MPX**



All dimensions are in mm.

ød±0.05	P ≤ 10	P > 15
	0.6	0.8

Typical applications

- They are suitable for line-by-pass, antenna coupling, across-the-line and spark killer circuit, also available for FMI filter and switching power supply application.

Features

- Self-healing properties
- High moisture resistance
- Over voltage stress withstanding
- Flame-retard plastic case and epoxy resin.

General technical date

Metallized polypropylene film dielectric, and encapsulated in self-extinguishing material meeting the requirements of UL94V-0.

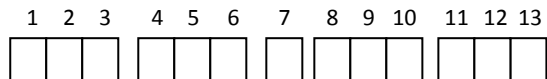
- Winding: non-inductive type.
- Protection: Plastic case (UL 94 V-0)
Epoxy resin sealing (UL 94 V-0)

Delivery mode

- Bulk
- Taped (Ammo pack or reel)

Product code system

The part number, comprising 13 digits, is formed as follows:



Digit 1 to 3 Series code.

Digit 4 to 6 the nominal capacitance is described by three digits; the first and second digits are the first and second significant figures of the nominal capacitance expressed in PF. The third digit states the number of zeros following the two significant figures.

Digit 7 Capacitance tolerance:

J=5%; K=10%; M=20%.

Digit 8 to 10 rated voltage:

250Vac=250 275Vac =275

Digit 11 to 13 Pitch:

Pitch 10=100 Pitch 15=150 Pitch 22.5=225

WEEE/RoHS

Components in accordance with EU Directive 2002/95/EC
Lead(Pb)-free terminals and internal solder joints

Specification

Operating temperature range: -40 to +110°C

Capacitance Range: 0.001~1.0µF

Capacitance Range: ±10%(K)

Work Voltage: : 250Vac for UL, CSA

275Vac for VDE, ENEC, EK, CQC

Dissipation Factor: 0.1% Max at 1KHz, 25°C

Insulation Resistance: >15000MΩ(C ≤ ,33µF)

>5000MΩ(C >,33µF)



**METALL IZED POLYPROPYLENE FILM CAPACITOR
INTERFERENCE SUPPRESSORS CLASS-X2**



Marking

Rated capacitance,

Example of marking :

Tolerance

Rated (AC)voltage

Sub class(X2)

Type designation / Manufacturer

Climatic category

Safety approvals

Year and month of manufacturing



APPROVED/RECOGNIZED TYPE

Safety approvals	File number	Monogram
UL UL-1414	E147776	
CSA C22.2 No.1 0-M91 C22.2 No.1 1-M94	LR98611-5	
ENEC (VDE) DIN EN 60384-14 2006-04 ; EN60384-14 : 2005-08 IEC60384-14(ed.3)	40018798	
EK K60384-14	SU03026-6001A SU03026-6002A SU03026-6003A	
CQC GB/T14472-1998	CQC07001020354	